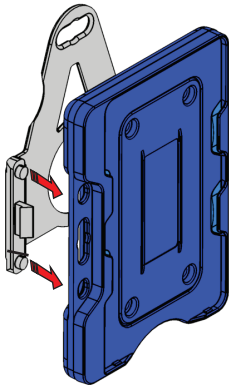
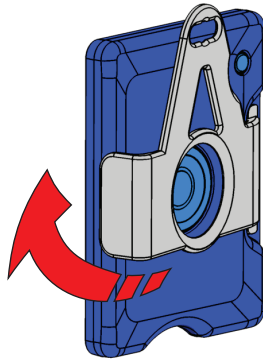


To Fit Adapter:

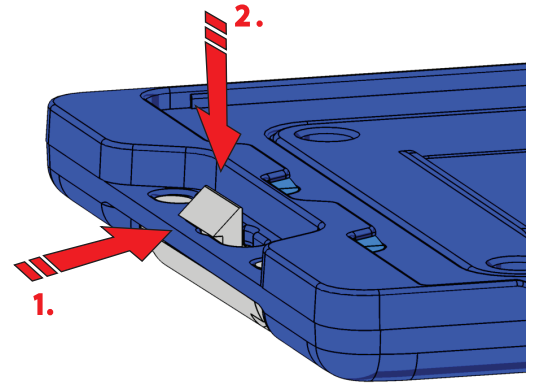


Step 1: Align fitting holes and push spring clip through



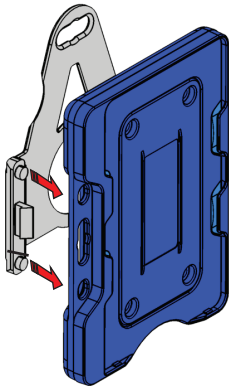
Step 2: Push opposite edge over the top of Badge PIT until it clicks

To Remove Adapter:

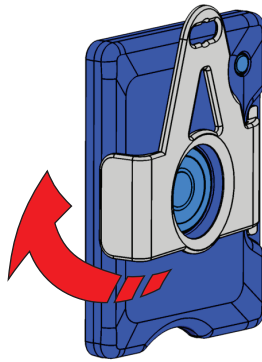


1. Push Spring Clip inwards
2. Push spring clip down

To Fit Adapter:

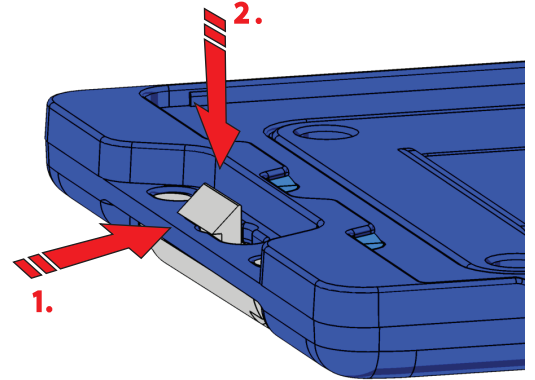


Step 1: Align fitting holes and push spring clip through



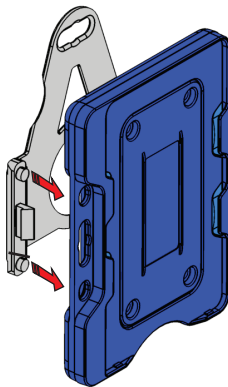
Step 2: Push opposite edge over the top of Badge PIT until it clicks

To Remove Adapter:

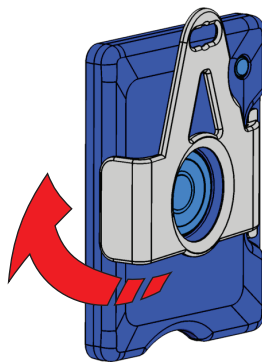


1. Push Spring Clip inwards
2. Push spring clip down

To Fit Adapter:

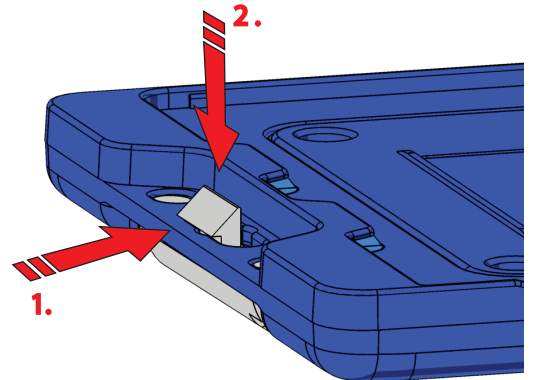


Step 1: Align fitting holes and push spring clip through



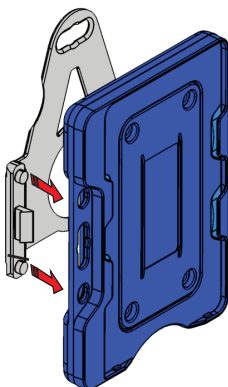
Step 2: Push opposite edge over the top of Badge PIT until it clicks

To Remove Adapter:

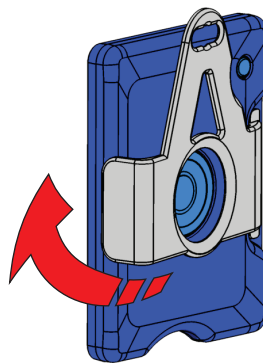


1. Push Spring Clip inwards
2. Push spring clip down

To Fit Adapter:

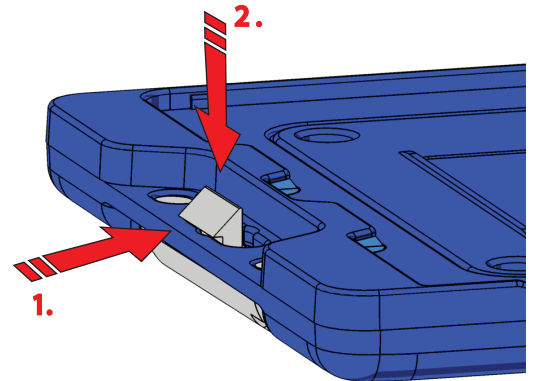


Step 1: Align fitting holes and push spring clip through



Step 2: Push opposite edge over the top of Badge PIT until it clicks

To Remove Adapter:



1. Push Spring Clip inwards
2. Push spring clip down